



The shortest distance to diagnosis

Philips BrightView SPECT

PHILIPS

Closer is better

Simplicity is seeing something better right from the start.
And BrightView SPECT is a completely new vision of what patient care can be, in a system as compact as it is intelligent.

Designed from the ground up, it's purely Philips, which means it's both elegantly simple and anchored in common sense.

A new universal gantry assures one size fits virtually any patient. New proprietary technologies let you get closer to patients for superior image resolution. Better ways of working are designed to help your day go more smoothly and make it easier to connect seamlessly with more patients.

New BrightView SPECT delivers both top-of-the-line clinical results and bottom-line performance, because it's technology that revolves around you and what your patients need.

See more, see earlier, and see what a difference BrightView can make.



Right from the start

In designing BrightView, we put everything on the table. Then we made sure it could support up to 450 lbs (204.5 kg), with an innovative ultra-thin pallet that glides smoothly into a newly designed wide-open gantry. BrightView is built on the strongest of foundations: your patients' wellbeing.

Detectors keep close to the body, even when the body is very small.



Ultra-thin table pallet helps improve image quality.

- Clever design of patient zone creates optimum physical and emotional environment for all patients, regardless of size
- Wide range of detector radius motion keeps detectors close to the patient, even when imaging infants or small regions of the body
- Newly designed table eases patient loading and positioning; ultra-thin table pallet helps improve image quality through lower attenuation and closer imaging
- Advanced robotics enable automatic set-up of gantry, detectors, collimators and patient table



Simplicity is Design for Life

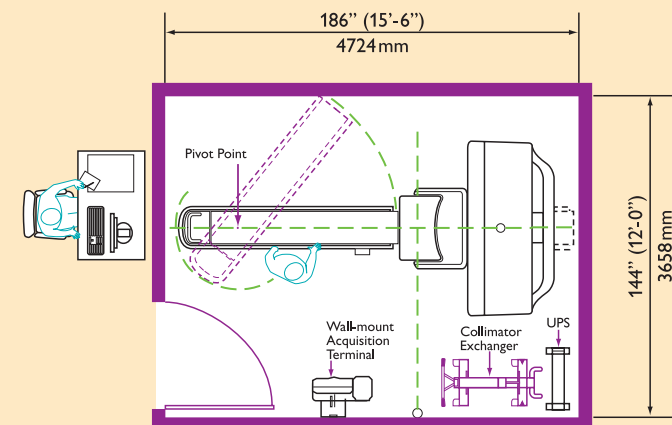
We give design high priority, not only because of its pleasing psychological benefits but also because it brings you and your patients closer together for a better study.

People-focused and researched-based, the Philips Design for Life approach integrates traditional disciplines such as product, graphical, and interaction design with more human-related aspects, such as psychology, ergonomics, and sociology to create a soothing patient zone.

When patients feel calm and comfortable, scans are more likely to go smoothly and without interruption, enhancing the efficiency of your entire staff.

Surprisingly compact and easy to install, BrightView fits into a room as small as 15'6" x 12' (4.72 x 3.66 M) with no need to specially reinforce flooring in most cases.

Detectors fold easily, with no need to remove for transport. The system fits through a standard doorframe and onto a standard elevator.



Simplicity is BodyGuard

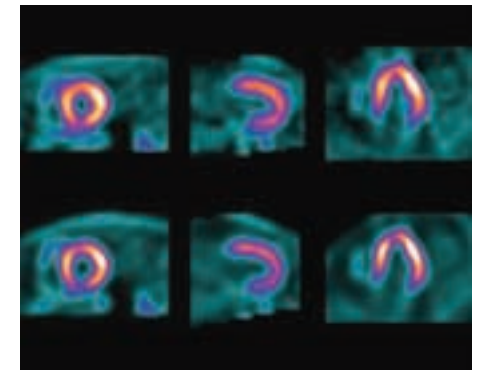
New to nuclear medicine and only from Philips, BodyGuard automatically contours to the patient, using electrical impedance to sense any conductive object, including the patient, wet IV and tubing, and the pallet.

BodyGuard uses a unique customizable scan distance preset by the operator, and also improves efficiency with a simple 3-step process:

- Simply **Select** the patient
- **Proceed** to accept study parameters
- Press **Start** to begin acquisition



BrightView is centered on providing image resolution superior to that of conventional systems. How? Through integrated technologies that move detectors closer to the patient, acquiring information with unprecedented precision and efficiency, then reconstructing faster without typical increases in noise.



Top row shows a 14-minute acquisition processed with filtered back projection, while the bottom row is a 7-minute acquisition processed with Astonish. Patient has 100% RCA stenosis confirmed by catheterization.

CloseUp technologies:

- BodyGuard automatic contouring elegantly moves detectors closer (it's proven in years of use with Philips legendary cardiovascular systems and is the only contouring method that actually senses the size and location of the patient and other conductive objects)
- Ultra-thin (0.1", 2.5 mm) table pallet improves resolution with less than 7% attenuation
- Innovative detector and collimator design reduces cardiac dead space and minimizes brain reach
- ZeroGap planar imaging allows minimum detector-to-detector distance of 0" (0 cm) for closer positioning

PinPoint detector technologies:

- Better signal processing through exclusive radial-based iterative positioning algorithms
- Better uniformity and spatial registration due to a single uniformity correction for multiple-energy imaging
- Low-profile design for maximum field of view and higher patient comfort

Astonish reconstruction technologies:

- PET-like resolution of less than 5 mm through a proprietary measured-resolution recovery algorithm

Technology that revolves around you



System allows you to directly image patients in wheelchairs.



Provides flexible bed imaging.



Features caudal and cephalic tilt.



Offers variable-height upright imaging.



Features easy semi-automatic collimator exchange.



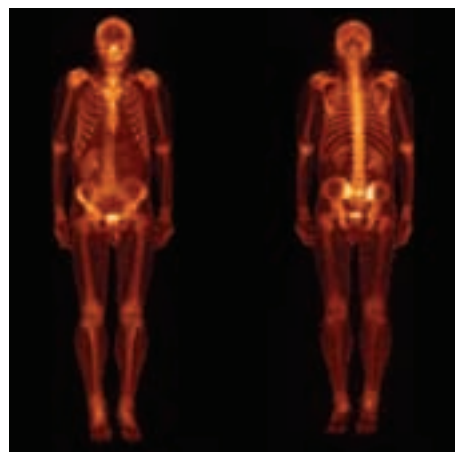
Offers ZeroGap planar imaging.



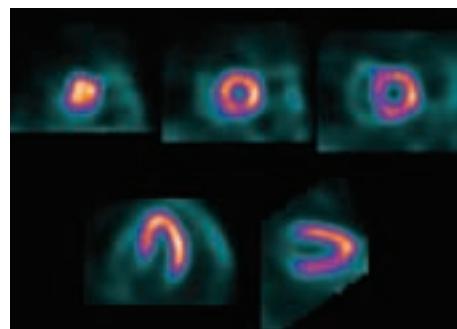
Provides simultaneous detector calibration.

Smart results, small wonder

It's easier to attract and retain referrals when you can work in ways that work for you, your patients and your referring physicians. Every day you'll appreciate the kind of clinical results that help improve diagnoses and simplify patient management across a range of studies, including bone, cardiac, brain, renal, liver and infection. This compact system is smart enough to let you do it your way.



Ultra-thin patient pallet and automatic contouring provide exceptional image quality by keeping detectors close to the patient in anterior and posterior imaging.



Compact detector design minimizes the dead space for 90° cardiac imaging, with a combination of patented CardioTrac roving zoom and optimized collimator design to help produce high image quality with reduced risk of patient truncation.



Select the patient from the Scheduler to automatically load the protocol.



Simply start the acquisition.

Automatic set-up: select a patient and SmartStep automatically reads the protocol parameters and configures BrightView for the procedure

Automatic contouring: BodyGuard senses the contours of the patient during setup and live acquisition, with a customizable scan distance

Concurrent imaging: save a single acquisition into multiple simultaneous datasets (up to 15), each with independent matrix, zoom, energy windows, gating parameters, stop criteria and data type

Faster acquisition: Astonish reconstruction uses a patented dual-filtering technique to reduce acquisition times – up to 50% in cardiac studies

Easy quality assurance: single-flood (Tc-99m) uniformity map for all radionuclides (up to 300 keV), simultaneous dual-detector calibration, and easy retuning help you spend less time preparing the system and more time with your patients

Remote services: Philips CustomerCare centers can pro-actively monitor the health of your system to pre-empt possible problems, and can even guide you towards better workflow management, all from a distance



Purely Philips, inside and out

When you choose BrightView, you're choosing Philips, with all the resources to keep you successful now and in the future. We think technology should be as simple as the box it comes in, and we're working every day to provide solutions to help you reach better diagnoses as quickly and easily as possible.

BrightView means smart thinking in terms of your business, too, throughout the lifetime of your new system. BrightView is scalable so you can choose from the start the capabilities best suited to your practice.

Unusually easy installation and comprehensive training help you get up and running sooner, with Philips continuing education and maintenance services for peak utilization.

And when it's time to upgrade, we'll be there with the right options to help you move smoothly into the future.

There's never been a system like BrightView. An innovative gantry and table design working in concert with revolutionary new technologies put you close enough to achieve better image quality and simplify workflow.

It's optimal patient care, grounded in a strong business case. All from a company that's taking you from where you are right now to where you want and need to be.

New Philips BrightView. Simplicity is the shortest distance to diagnosis.



Simplicity is sustainable

When you choose Philips, you're choosing with the future in mind.

BrightView SPECT is an excellent example of how we approach our business – and yours – in environmentally and socially responsible ways.

As a Philips “Green Flagship” product, BrightView is proven to deliver substantially better environmental performance, using less than 50% of the hazardous substances found in its predecessor. It weighs at least 20% less and consumes at least 15% less energy. BrightView is also designed to offer significant advances in packaging, recycling and disposal.

We're continually dedicated to finding tomorrow's value for us all: developing meaningful technology with a substantial life cycle that both meets your needs and also those of society.

**Philips Medical Systems is part of
Royal Philips Electronics**

Interested?

Would you like to know more about our imaginative products? Please do not hesitate to contact us. We would be glad to hear from you.

On the web

www.medical.philips.com

Via email

medical@philips.com

By fax

+31 40 27 64 887

By mail

Philips Medical Systems
Global Information Center
P.O. Box 1286
5602 BG Eindhoven
The Netherlands

By phone

Asia

Tel: +852 2821 5888

Europe, Middle East, Africa

Tel: +31 40 27 87246

Latin America

Tel: +55 11 2125 0764

North America

Tel: +1 800 299 6417



© 2006 Koninklijke Philips Electronics N.V.
All rights are reserved.

Philips Medical Systems Nederland B.V. reserves the right to make changes in specifications and/or to discontinue any product at any time without notice or obligation and will not be liable for any consequences resulting from the use of this publication.

Printed in The Netherlands.
4522 962 20861/882 * DEC 2006